

HydraBolt Screen Bolts

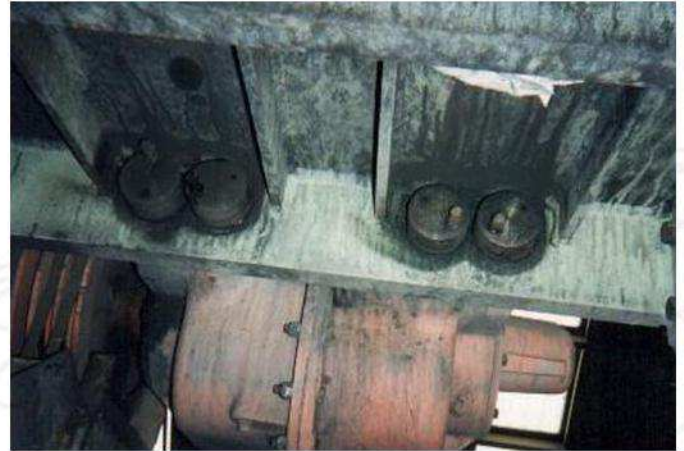
Technofast Industries

HydraBolt improves Screen efficiency

HydraBolts are designed to increase screen maintenance efficiency and ensure a problem free mechanical joint.

Hydraulic bolt tensioning using HydraBolts provides joint integrity by applying an accurate load evenly over the total joint face.

Ease of removal is assured.



HydraBolts are engineered to be a direct replacement for existing screen bolts. They are fitted in minutes using a simple hydraulic pump.

No torsional stresses are induced into the bolts. It is known that torsional stresses induced by torque tightening are eventually relieved leading to loss of bolt load and therefore joint integrity. Also there is no galling to joint faces and no thread damage can occur.

Removal is effortless and allows accurate programming of maintenance.

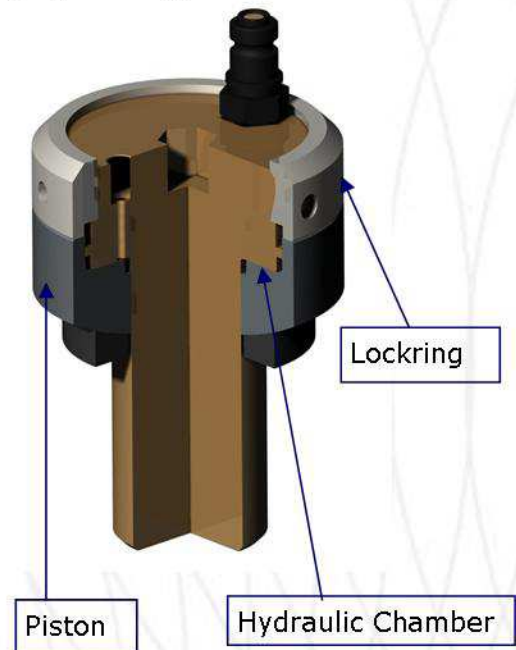
How does it work?

Using the simple formula **pressure x area = load**, hydraulic fluid is introduced into the Hydraulic Chamber to sufficient pressure to give the required bolt load.

This elongates the bolt, creating a gap between the threaded locking and the piston. This gap represents the bolt elongation and is taken up by screwing the locking down to seat on the piston face.

The pressure is released and a known load is now retained by the locking.

Removal is by simple reversal of the above procedure.



Benefits:

*Fast

*Accurate

*Simple

*Safe


technofast
precision engineered solutions

Technofast
Industries
12 Archimedes St.
Darra Qld 4076
Brisbane Australia

Tel: +61 7 3375 1431
Fax: +61 7 3375 9094

Email: sales@technofast.com.au