

Reactor Coolant Pumps

Use of Technofasts' HiTemp HydraNuts has saved a North American Utility many thousands of dollars in reduced exposure, time and labor costs.

These hydraulically actuated nuts are fitted as direct replacements for standard nuts Reactor Coolant Pump flanges.

In this case, the 24 x 4.1/2" HiTemp HydraNuts are interconnected and pressurized simultaneously. This gives an evenly applied load over the full flange and ensures that bolts are correctly loaded.

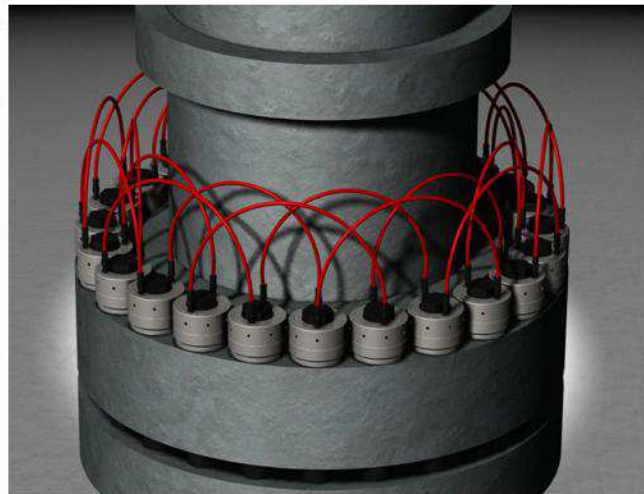
The existing method of bolt heating is time consuming and labor intensive, taking up to two shifts to complete.

Utilizing the HydraNuts, the tensioning was completed in less than 2 hours.

HiTemp HydraNuts are so called due to the unique patented seal designs capability to be energized after thousands of hours at the working temperature of

550 deg F (265 C).

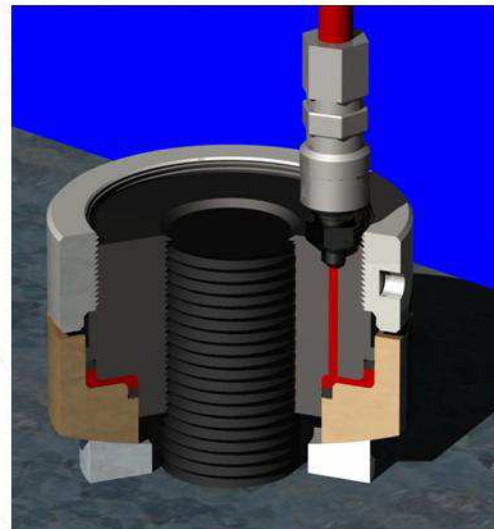
Ease of removal is assured due to minimal friction during disassembly, as the locking threads are free from load when the HydraNut is under hydraulic pressure.



How does it work?

The HydraNut is screwed into position onto the valve cover face. The quick connect coupling is connected and pressure is applied by a hydraulic pump.

The hydraulic force applied equals the pressure times the hydraulic area and is therefore a known load. The bolt is stretched and the locking is wound down to seat on the top face of the piston. The hydraulic pressure is released and the hose is disconnected.



Benefits

- *Fast*
- *Accurate*
- *Simple*
- *Safe*


technofast
precision engineered solutions

Technofast
Industries
12 Archimedes St,
Darra Qld 4076
Brisbane Australia

Tel: +61 7 3375 1431
Fax: +61 7 3375 9094