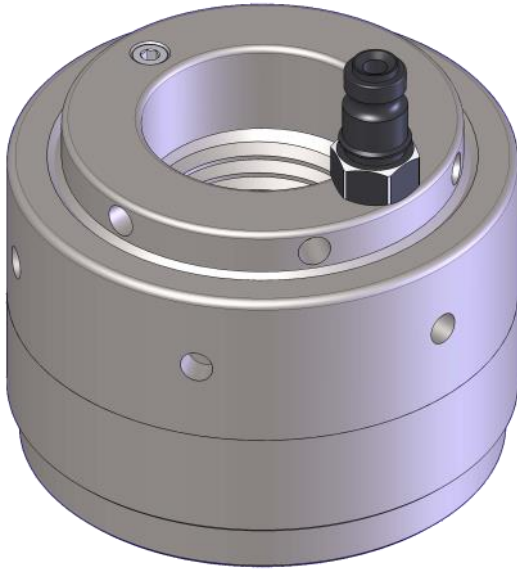




EziTite[®] Hydraulic Nut



The EziTite[®] Hydraulic Nut is a precision engineered, high pressure, high performance, hydraulically operated bolt tensioning device that can be quickly and easily fitted and used with Technofast pumping equipment (eg. Hand Pumps, Electric/ Hydraulic or Air / Hydraulic).

It is manufactured in a choice of alloy or stainless steel of tensile strength to suit the required application.

Features:

The patented design of the EziTite[®] has given it improved technical efficiency of operation and cost/benefit advantages over other tensioning devices. The EziTite[®] Hydraulic Nut provides advantages such as:

- Reduced maintenance down time.
- Improved safety on the job.
- Gives reliable and precise tensioning.
- Is user-friendly.
- Fast to fit and remove.

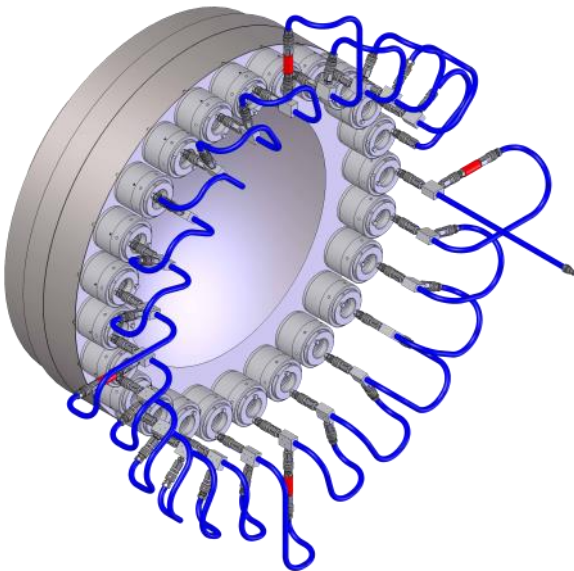
- **SAFE**
- **EASY TO OPERATE**
- **ACCURATE BOLT TENSIONING**
- **MULTIPLE TENSIONING**



Operation:

The EziTite[®] Hydraulic Nut assembly is screwed by hand onto the bolt (replacing the original Nut) until the base is tight against the working face. Hydraulic pressure is then applied through the nipple fitting on top of the nut body into the sealed chamber, forcing the piston and the nut body apart, thus stretching and tensioning the bolt through the joint.

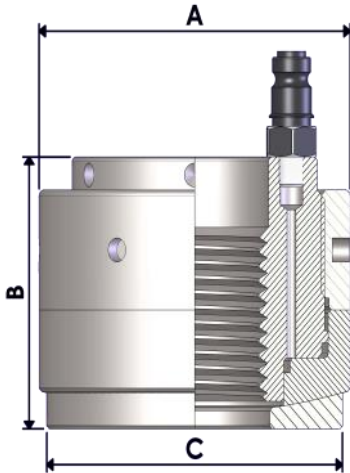
The threaded lock ring, mounted on the nut body, is then screwed against the abutting face to retain the induced load in the bolt. The pressure is then simply released and the hydraulic coupling removed from the nipple fitting to complete the operation.





EziTite® Hydraulic Nut Specifications

Long Stroke part numbers have an 'L' at the end of the part number. Eg: EZI-CI112UL



Model Part No.	Thread Size	Force (kN)	(A) Nut OD (mm)	(B) Height short stoke (mm)	(B) Height long stoke (mm)	Short Stroke (mm)	Long Stroke (mm)	(C) Washer Diameter	Weight Approx. Short (kg)	Weight Approx. Long (kg)
EZI-CM24X3	M24	57	Ø58	61	73	6	12	Ø52	1.00	1.21
EZI-CI100U	1	64	Ø58	61	73	6	12	Ø52	0.99	1.19
EZI-CI102U	1.125	80	Ø64	63.5	75.8	6	12	Ø58	1.22	1.46
EZI-CM30X35	M30	86	Ø68	66.2	78.2	6	12	Ø62	1.48	1.72
EZI-CI104U	1.25	106	Ø72	65.5	77.5	6	12	Ø68	1.62	1.91
EZI-CI106U	1.375	119	Ø78	68	80	6	12	Ø74	1.97	2.31
EZI-CM36X4	M36	135	Ø78	68	80	6	12	Ø74	1.91	2.27
EZI-CI108U	1.5	143	Ø82	69.7	81	6	12	Ø78	2.17	2.56
EZI-CI110U	1.625	177	Ø88	72.5	84.5	6	12	Ø82	2.57	3.01
EZI-CM42X45	M42	177	Ø88	72.5	84.5	6	12	Ø82	2.54	2.99
EZI-CI112U	1.75	186	Ø94	79.2	102.2	8	20	Ø86	3.21	4.17
EZI-CM48X5	M48	234	Ø104	80.2	103.2	8	20	Ø98	4.00	5.18
EZI-CI200U	2	245	Ø108	86.9	108.9	8	20	Ø102	4.62	5.83
EZI-CM56X55	M56	335	Ø122	90.6	112.6	8	20	Ø116	6.14	7.70
EZI-CI204U	2.25	335	Ø122	90.6	112.6	8	20	Ø116	6.13	7.66
EZI-CI208U	2.5	439	Ø136	96.1	116.1	8	20	Ø132	8.17	9.88
EZI-CM64X6	M64	439	Ø136	96.1	116.1	8	20	Ø132	8.13	9.86
EZI-CI212U	2.75	527	Ø150	105	122.9	8	20	Ø146	10.86	12.83
EZI-CM72X6	M72	527	Ø150	105	122.9	8	20	Ø146	10.74	12.68
EZI-CI300U	3	638	Ø160	107	124	8	20	Ø156	12.57	14.66
EZI-CM80X6	M80	706	Ø170	108.5	125.5	8	20	Ø162	14.38	16.77

Commercial grade Imperial EziTite nuts are calculated at approximately 65% proof load of a SAE Grade 2 bolt.
Commercial grade Metric EziTite nuts are calculated at approximately 65% proof load of a Grade 4.6 bolt.
Maximum operating pressure for commercial grade is 700 Bar



Model Part No.	Thread Size	Force produced (kN)	Nut OD (mm)	Height short stoke (mm)	Height long stoke (mm)	Short Stroke (mm)	Long Stroke (mm)	Washer Diameter	Weight Approx. Short (kg)	Weight Approx. Long (kg)
EZI-HM24X3	M24	160	Ø70	59.9	72	6	12	Ø66	1.52	1.84
EZI-HI100U	1	160	Ø70	59.9	72	6	12	Ø66	1.52	1.82
EZI-HI102U	1.125	171.9	Ø74	62.3	74.3	6	12	Ø68	1.67	2.01
EZI-HM30X35	M30	249.3	Ø84	65	77	6	12	Ø80	2.32	2.79
EZI-HI104U	1.25	249.3	Ø84	65	77	6	12	Ø80	2.30	3.00
EZI-HI106U	1.375	277.9	Ø92	68.3	80.3	6	12	Ø88	2.89	3.42
EZI-HM36X4	M36	357	Ø100	69.6	80.6	6	12	Ø96	3.52	4.09
EZI-HI108U	1.5	332.5	Ø100	69.6	80.6	6	12	Ø96	3.46	4.03
EZI-HI110U	1.625	409	Ø110	78.9	88.9	6	12	Ø106	4.68	5.34
EZI-HM42X45	M42	456	Ø114	78.3	88.3	6	12	Ø110	5.02	5.74
EZI-HI112U	1.75	456	Ø114	80.3	103.3	8	20	Ø110	5.11	6.66
EZI-HM48X5	M48	629.3	Ø128	84	106	8	20	Ø124	6.84	8.72
EZI-HI200U	2	598.5	Ø128	84	106	8	20	Ø124	6.74	8.61
EZI-HM56X55	M56	821.1	Ø146	89.5	110.5	8	20	Ø142	9.52	11.90
EZI-HI204U	2.25	785.4	Ø146	89.5	110.5	8	20	Ø142	9.47	11.81
EZI-HI208U	2.5	940.5	Ø156	95.6	115.6	8	20	Ø152	11.47	13.90
EZI-HM64X6	M64	1108.4	Ø166	95.8	115.8	8	20	Ø162	13.26	16.05
EZI-HI212U	2.75	1128.3	Ø172	100.6	120.6	8	20	Ø168	14.82	17.85
EZI-HM72X6	M72	1474.9	Ø190	99.5	119.5	8	20	Ø186	18.29	22.09
EZI-HI300U	3	1379.9	Ø190	99.9	119.9	8	20	Ø186	17.99	21.78
EZI-HM80X6	M80	1770.3	Ø206	105.9	124.9	8	20	Ø202	22.80	26.98

High Tensile Grade Imperial—are calculated at approximately 65% proof load of a SAE Grade 5 bolt.
High Tensile Grade Metric—are calculated at approximately 65% proof load of a Grade 8.8 bolt.
Maximum Operating pressure for High Tensile Grade is 1000 Bar

All standard EziTite® Hydraulic Nuts are equipped with CEJN type male snap fittings, 1/8" BSPP porting and bleed plugs.

- EziTite® Hydraulic Nuts are supplied with spherical self-aligning washers as standard.
- Maximum force is generated using the stated maximum pressure.

If the standard range above does not suit, our technical staff will modify the design to suit the application.