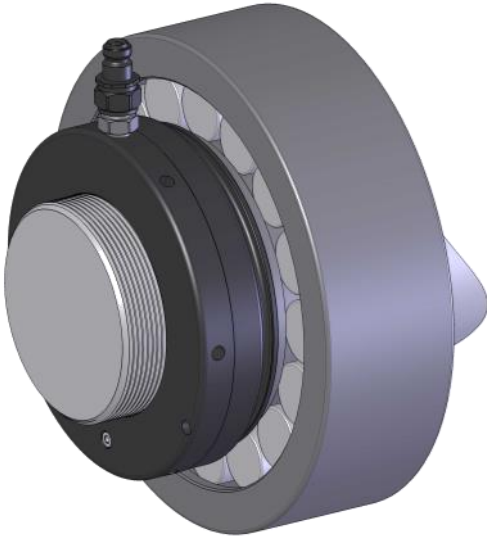




EziTite® Bearing Setter

Major bearing manufacturers estimate that around 16% of bearings fail prematurely due to poor fitting. Breakdowns are expensive, and rework proves particularly frustrating.

The use of the EziTite® Bearing Setter employs hydraulic power to guide bearings into place effortlessly, and provides optimum preload as required.



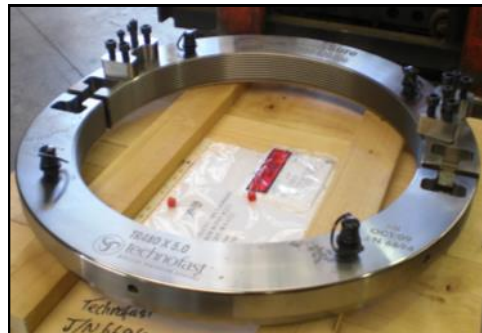
Features:

The EziTite® Bearing Setter has been designed with the operator in mind, offering many optional extras readily available to ensure trouble free operation. Some features of the EziTite® Bearing Setter are:

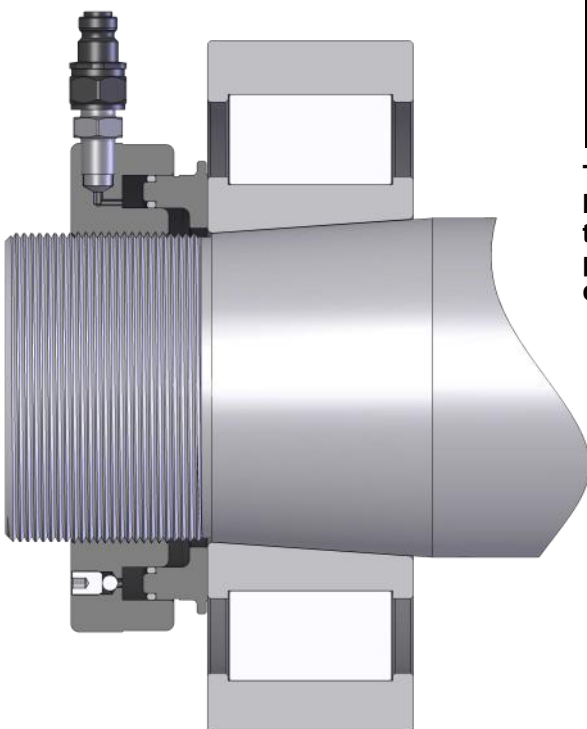
- Dial gauge mounting point as standard.
- Visible maximum stroke indicator.
- Custom thread sizes available on request.
- Split designs available on request.
- Designs can be engineered to suit individual applications.
- Requires little physical effort.



- **SAFE**
- **USER FRIENDLY**
- **REPEATABILITY**
- **ACCURATE BEARING MOUNTING**



Technofast's unique split design bearing setters can be placed over the shaft and be used for bearing preload reset without the need to disassemble a whole machine.



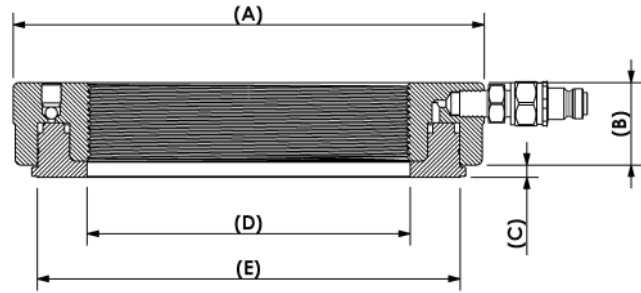
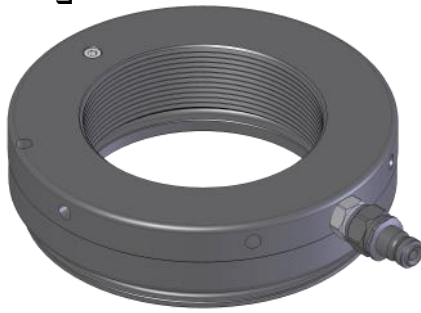
Operation:

The EziTite® Bearing Setter assembly is screwed by hand onto the shaft or adaptor sleeve until the base is tight against the bearings inner race. Hydraulic pressure is then applied through the nipple fitting on top or side of the nut body into the sealed chamber, forcing the piston and the nut body apart, thus driving the bearing onto its tapered mount.

Once the desired bearing drive up has been achieved the pressure is relieved, the Bearing Setter can be removed and is then replaced with a standard locking nut.



EziTite® Bearing Setter Technical Specifications



Tool # Metric	Size ISO	Thread Pitch mm	Tool # Imperial	Size Imp	Threads Per Inch	Max Force kN	HPA	Pressure (Bar)	(A)	(B)	(C)	(D)	(E)	Pin Spanner hole size	Stroke
BP-03-M00	M60	2.0	BP-03-U00	2.36	18.0	230.6	3293.6	700	120	38	4	60.5	96	8mm	7mm
BP-04-M00	M65	2.0	BP-04-U00	2.548	18.0	248.3	3546.95	700	126	38	4	65.5	102	8mm	7mm
BP-05-M00	M70	2.0	BP-05-U00	2.751	18.0	257.2	3673.83	700	132	38	4	70.5	108	8mm	7mm
BP-06-M00	M75	2.0	BP-06-U00	2.933	12.0	274.9	3927.18	700	136	38	4	75.5	116	8mm	7mm
BP-07-M00	M80	2.0	BP-07-U00	3.137	12.0	292.7	4180.54	700	142	38	5	80.5	118	8mm	7mm
BP-08-M00	M85	2.0	BP-08-U00	3.34	12.0	310.4	4433.89	700	148	38	5	85.5	124	8mm	7mm
BP-09-M00	M90	2.0	BP-09-U00	3.527	12.0	319.2	4560.77	700	154	38	5	90.5	132	8mm	7mm
BP-10-M00	M95	2.0	BP-10-U00	3.73	12.0	337	4813.72	700	160	38	5	95.5	138	8mm	7mm
BP-11-M00	M100	2.0	BP-11-U00	3.918	12.0	355.8	5075.85	700	164	44	6	100.5	140	8mm	7mm
BP-12-M00	M105	2.0	BP-12-U00	4.122	12.0	327.4	5456.7	600	176	45	5	105.5	154	8mm	7mm
BP-13-M00	M110	2.0	BP-13-U00	4.325	12.0	327.4	5456.7	600	176	45	5	110.5	154	8mm	8mm
BP-14-M00	M115	2.0	BP-14-U00			365.5	6090.86	600	190	45	5	115.5	166	8mm	8mm
BP-15-M00	M120	2.0	BP-15-U00	4.716	12.0	365.5	6090.86	600	190	45	5	120.5	166	8mm	8mm
BP-16-M00	M125	2.0	BP-16-U00			364.8	6080.49	600	195	45	5	125.5	172	8mm	8mm
BP-17-M00	M130	2.0	BP-17-U00	5.106	12.0	423.2	7053.2	600	200	45	5	130.5	172	8mm	8mm
BP-18-M00	M135	2.0	BP-18-U00			411.1	6852.12	600	208	45	5	135.5	186	8mm	8mm
BP-19-M00	M140	2.0	BP-19-U00	5.497	12.0	411.1	6852.12	600	208	45	5	140.5	186	8mm	8mm
BP-20-M00	M145	2.0	BP-20-U00			426.4	7105.88	600	222	46	6	145.5	199	8mm	8mm
BP-21-M00	M150	2.0	BP-21-U00	5.888	12.0	426.4	7105.88	600	222	46	6	150.5	199	8mm	8mm
BP-22-M00	M155	3.0	BP-22-U00			580.3	9672.28	600	234	47	6	155.5	210	8mm	8mm
BP-23-M00	M160	3.0	BP-23-U00	6.284	8.0	580.3	9672.28	600	234	47	6	160.5	210	8mm	8mm
BP-24-M00	M165	3.0	BP-24-U00			618.4	10306.46	600	250	47	6	165.5	224	8mm	8mm
BP-25-M00	M170	3.0	BP-25-U00	6.659	8.0	618.4	10306.46	600	250	47	6	170.5	224	8mm	8mm
BP-26-M00	M175	3.0	BP-26-U00			637.4	10623.55	600	256	50	6	175.5	230	8mm	8mm
BP-27-M00	M180	3.0	BP-27-U00	7.066	8.0	637.4	10623.55	600	256	50	6	180.5	230	10mm	10mm
BP-28-M00	M185	3.0	BP-28-U00			675.5	11257.74	600	268	50	6	185.5	242	10mm	10mm
BP-29-M00	M190	3.0	BP-29-U00	7.472	8.0	675.5	11257.74	600	268	50	6	190.5	242	10mm	10mm
BP-30-M00	M195	3.0	BP-30-U00			713.5	11891.92	600	282	51	7	195.5	256	10mm	10mm
BP-31-M00	M200	3.0	BP-31-U00	7.847	8.0	713.5	11891.92	600	282	51	7	200.5	256	10mm	10mm
BP-32-M01	TR205	4.0	BP-32-U00			731.6	12192.65	600	290	51	7	205.5	262	10mm	10mm
BP-33-M01	TR210	4.0	BP-33-U00			731.6	12192.65	600	290	51	7	210.5	262	10mm	10mm
BP-34-M01	TR215	4.0	BP-34-U00			770.6	12843.19	600	304	53	9	215.5	274	10mm	10mm
BP-35-M01	TR220	4.0	BP-35-U00	8.628	8.0	770.6	12843.19	600	304	53	9	220.5	274	10mm	10mm
BP-36-M01	TR225	4.0	BP-36-U00			807.6	13459.42	600	315	53	9	225.5	286	10mm	10mm
BP-37-M01	TR230	4.0	BP-37-U00			807.6	13459.42	600	315	53	9	230.5	286	10mm	10mm
BP-38-M01	TR235	4.0	BP-38-U00			846.7	14111.56	600	334	55	9	235.5	300	10mm	10mm
BP-39-M01	TR240	4.0	BP-39-U00	9.442	6.0	846.7	14111.56	600	334	55	9	240.5	300	10mm	10mm
BP-40-M01	TR250	4.0	BP-40-U00			956.7	14726.19	600	359	54	9	250.5	325	12mm	12mm
BP-41-M01	TR260	4.0	BP-41-U00	10.192	6.0	956.7	15945.62	600	359	54	9	260.5	325	12mm	12mm
BP-42-M01	TR270	4.0	BP-42-U00	10.604	6.0	960.9	16014.10	600	372	58	9	272	338	12mm	12mm
BP-43-M01	TR280	4.0	BP-43-U00	11.004	6.0	960.9	16014.10	600	372	58	9	282	338	12mm	12mm
BP-44-M01	TR290	4.0	BP-44-U00			1140.1	19001.11	600	404	59	9	292	365	12mm	14mm
BP-45-M01	TR300	4.0	BP-45-U00	11.785	6.0	1140.1	19001.11	600	404	59	9	302	365	12mm	14mm
BP-46-M01	TR310	5.0	BP-46-U00			1238.8	20647.89	600	412	50	9	312	374	12mm	14mm
BP-47-M01	TR320	5.0	BP-47-U00	12.562	6.0	1463.0	24383.48	600	430	52	10	322	390	12mm	14mm
BP-48-M01	TR330	5.0	BP-48-U00			1508.6	25142.89	600	440	52	10	332	400	12mm	14mm
BP-49-M01	TR340	5.0	BP-49-U00	13.339	5.0	1578.4	26307.37	600	454	52	10	342	412	12mm	14mm
BP-50-M01	TR350	5.0	BP-50-U00			1594.3	26571.84	600	466	52	10	352	424	12mm	14mm
BP-51-M01	TR360	5.0	BP-51-U00	14.17	5.0	1614.1	26902.33	600	472	52	10	362	430	12mm	14mm
BP-52-M01	TR370	5.0	BP-52-U00			1635.9	27266.12	600	490	56	12	372	448	12mm	16mm
BP-53-M01	TR380	5.0	BP-53-U00	14.957	5.0	1709.3	28488.71	600	500	56	12	382	454	12mm	16mm
BP-54-M01	TR390	5.0	BP-54-U00			1776.9	29616.10	600	512	56	12	392	464	12mm	16mm
BP-55-M01	TR400	5.0	BP-55-U00	15.745	5.0	1804.7	30078.56	600	522	56	12	402	476	12mm	16mm

If the standard range above does not suit, our technical staff will modify the design to suit the application. For specialised thread and sizing requirements, don't hesitate to contact sales@technofast.com for assistance.