



# B3M Series EziJac



The B3M Series EziJac features manual return for resetting of the tool following operation. Construction is modular, allowing multiple Adaptor Kits for additional fastener sizes to be interchanged with a designated Load Cell.

The EziJac uses hydraulic pressure to tension a bolt to the exact load required. Once the bolt has been tensioned, the nut is wound down the thread to retain the load. The EziJac is then depressurised, reset to full stroke, and removed from the application ready for use again.

- **SAFE**
- **SIMPLE OPERATION**
- **ACCURATE BOLT TENSIONING**

## Tool Features:

- Stroke Indicator.
- Long Working Stroke.
- Interchangeable adaptor kits.
- Leak-free Low Friction seals.
- Nitride hardening for increased tool life.
- Optional second port for linking tools.
- Quality assured.



## Benefits of the EziJac:

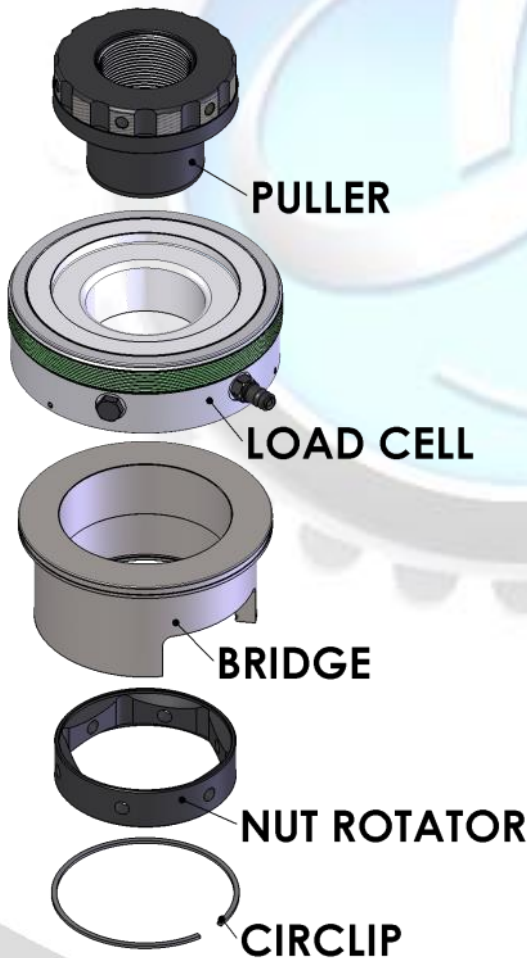
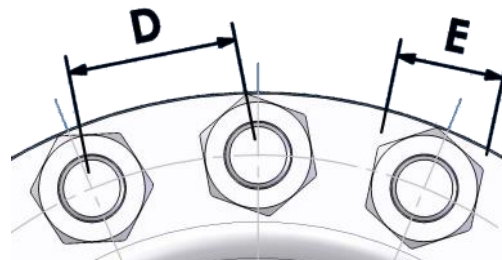
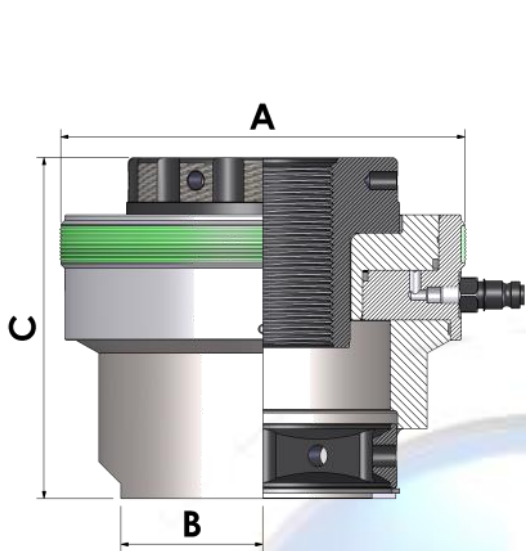
- Reduces maintenance down time.
- Improves safety on the job by eliminating hammer tightening and pinch points.
- Gives reliable and precise tensioning.
- Is user friendly - fast to fit and remove.
- Requires little physical effort.
- Is ideal for confined spaces or difficult locations.
- Multiple tensioning for leak-free flange makeup.

## The B3M EziJac is ideal where:

- Accurate and repeatable loading is required.
- Rotational or torsional stresses are a problem.
- Regular maintenance requires repeated adjustments or removal of nuts.
- There are confined and difficult nut locations.
- Simultaneous tensioning of bolts is required. (eg: Flanges)



# B3M EziJac Technical Specifications



Tool #	Size Imp	Size ISO	Kit # (P; see note)	Max Force kN	Tool O/D (A)	Min Pitch (D)	Relief (B)	Tool Height (C)	Nut A.F (E)	Nut A.C	Nut Height	Weight
B3M-L2	7/8"		ML2-014XP	361	88	59	26	103	36.5	42.61	22.5	3.1
	1"		ML2-100XP			59	29	106	41.3	47.65	25.7	
		M24	ML2-M24X30			59	29	104	41	47.34	24.2	
	1.1/8"		ML2-102XP			60	32	109	46	53.2	28.9	
B3M-L3		M27	ML2-M27X30			60	32	107	46	53.12	27.6	4.2
		M30	ML3-M30X35	546	105	72	36	118	50	57.74	30.7	
	1.1/4"		ML3-104XP			73	36	122	55	58.6	31.8	
		M33	ML3-M33X35			73	36	122	55	58.6	31.8	
B3M-L4	1.3/8"		ML3-106XP			76	39	123	55.6	64.2	35	6.1
		M36	ML3-M36X40			76	39	125	60	69.28	36.6	
	1.1/4"		ML4-104XP	666	116	77	36	125	50.6	58.6	31.8	
		M33	ML4-M33X35			77	36	122	55	58.6	31.8	
B3M-L5	1.3/8"		ML4-106XP			78	39	125	55.8	64.2	35	9.8
		M36	ML4-M36X40			78	39	125	60	69.28	36.6	
	1.1/2"		ML4-108XP			80	42	125	60.3	69.6	38.2	
		M39	ML4-M39X40			80	42	128	65	69.6	38.2	
B3M-L6	1.1/2"		ML5-108XP	964	134	89	42	130	60.3	69.6	38.2	11.6
		M39	ML5-M39X40			89	42	137	65	69.6	38.2	
	1.5/8"		ML5-110XP			91	45	136	65.1	75.2	41.5	
		M42	ML5-M42X45			91	45	139	70	80.83	42	
B3M-L7	1.3/4"		ML5-112XP			94	49	140	69.9	80.6	44.7	13.7
		M45	ML5-M45X45			94	49	142	75	80.6	44.7	
	1.5/8"		ML6-110XP	1 217	149	99	45	138	65.1	75.2	41.5	
		M42	ML6-M42X45			99	45	142	70	80.83	42	
B3M-L8	1.3/4"		ML6-112XP			101	49	140	69.9	80.6	44.7	21
		M45	ML6-M45X45			101	49	145	75	80.6	44.7	
	1.7/8"		ML6-114XP			102	51	141	74.6	86.2	47.9	
		M48	ML6-M48X50			102	51	148	80	92.38	48	
B3M-L9	2"		ML6-200XP			105	54	144	79.4	91.6	51.1	26.2
		M52	ML6-M52X50			105	54	151	85	91.6	51.1	
	1.7/8"		ML7-114XP	1 496	162	110	51	143	74.6	86.2	47.9	
		M48	ML7-M48X50			110	51	143	80	92.38	48	
B3M-L10	2"		ML7-200XP			112	54	146	79.4	91.6	51.1	31.1
		M52	ML7-M52X50			112	54	148	85	91.6	51.1	
	2.1/4"		ML7-204XP			119	59	152	88.9	102.6	57.2	
		M56	ML7-M56X55			119	59	151	90	103.92	56	
B3M-L11	2.1/4"		ML8-204XP	1 900	184	124	59	156	88.9	102.6	57.2	39
		M56	ML8-M56X55			124	59	155	90	102.6	56	
		M60	ML8-M60X55			131	65	159	95	102.6	56	
	2.1/2"		ML8-208XP			131	65	163	98.4	113.6	63.6	
B3M-L12		M64	ML8-M64X60			131	65	163	100	115.47	64	55.9
	2.1/2"		ML9-208XP	2 508	204	136	65	168	98.4	113.6	63.6	
		M64	ML9-M64X60			136	65	168	100	115.47	64	
		M68	ML9-M68X60			146	71	172	105	115.47	64	
B3M-L13	2.3/4"		ML9-212XP			146	71	175	108	124.6	70.1	59
		M72	ML9-M72X60			146	71	176	110	127	72	
	3"		ML10-212XP	2 903	219	150	71	175	108	124.6	70.1	
		M72	ML10-M72X60			150	71	177	110	127	72	
B3M-L14	3"		ML10-300XP			157	77	182	117.5	135.6	76.5	55.9
		M76	ML10-M76X60			157	77	181	115	135.6	76.5	
	3"		ML11-300XP	3 687	247	161	77	184	117.5	135.6	76.5	
		M76	ML11-M76X60			161	77	184	115	135.6	76.5	
B3M-L15		M80	ML11-M80X60			163	77	188	120	138.56	80	55.9
	3.1/4"		ML11-304XP			175	87	191	127	146.7	82.6	
		M85	ML11-M85X60			175	87	192	125	146.7	82.6	
		M90	ML11-M90X60			177	93	197	136.5	157.7	89.1	
B3M-L16	3.1/2"		ML12-312XP			177	93	198	135	155.88	90	55.9
		M90	ML12-M90X60			177	93	198	135	155.88	90	
	3.3/4"		ML12-M95X60	4 927	284	202	99	210	146.1	168.7	95.5	
		M95	ML12-M95X60			202	99	210	145	168.7	95.5	
B3M-L17	4"		ML12-400XP			212	105	217	155.6	179.7	102	55.9
		M100	ML12-M100X60			212	105	215	150	173.21	100	

**Notes:**

- EziJac ordered as a complete tool, for example: Part no. B3S-L4-M36X40 is specified to suit M36 x 4.
- Adaptor kits ordered separately, for example SL4-M36X40 is specified to suit M36 X 4. For Imperial Sizes, P = Thread Pitch in Threads Per Inch (TPI). Eg Part # ML6-200X8 is the adaptor Kit to suit 2" x 8TPI fasteners.

- If the standard product does not fit within your space restrictions or load requirements, custom designs are our speciality and are available upon request.
- These dimensions are a guide only. Technofast are continually working on product development and changes may occur at any time. Please contact Technofast for up to date information.