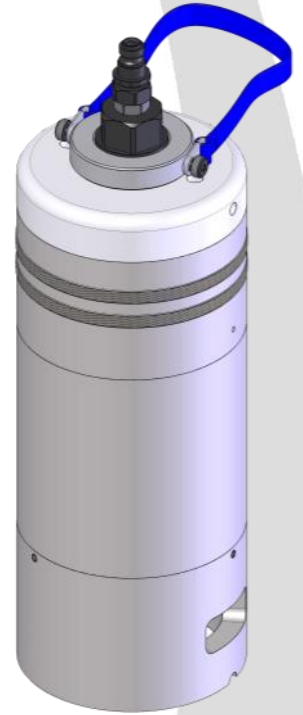
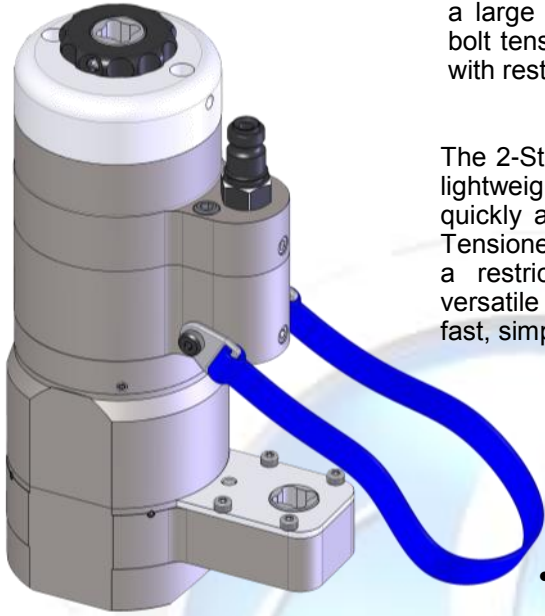




2-Stage X2 & Y2 Series EziJac

Technofast's X2 & Y2 2-Stage EziJacs encompass a large range of slim bodied tensioners to enable bolt tensioning and maintenance on any application with restricted space.

The 2-Stage series of hydraulic bolt tensioners are a lightweight, user friendly range of tools which are quickly and easily fitted in restricted spaces. These Tensioners provide very high tensioning forces within a restricted footprint and provide accurate and versatile tensioning of bolts and studs whilst being fast, simple and safe to use.



- **FAST**
- **SIMPLE**
- **SAFE**

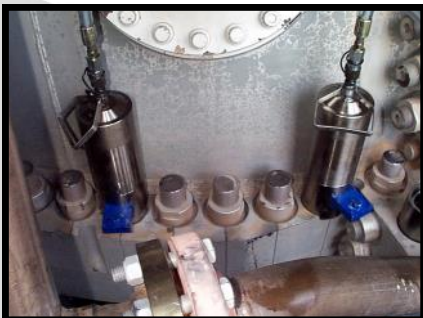
Tool Features:

- Stroke Indicator.
- Long Stroke.
- Spring return piston.
- The slim fit design allows these Tensioners to operate in restricted space.
- Leak-free low friction seals.
- Nitride hardening of surfaces for increased tool life.
- Optional side gear box for simple nut run-down.



A 2-Stage EziJac is ideal where:

- There are confined spaces or difficult locations.
- When high loads are required.
- Simultaneous tensioning of bolts is required. (eg: Flanges)
- Accurate and repeatable loading is required
- Regular maintenance requires repeated adjustments or removal of nuts.
- Rotational or torsional stresses during bolting are a problem.



Please contact Technofast for assistance with tool selection and specifications of the 2-Stage models.