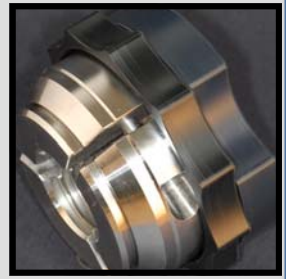




FastaJac



Technofast's FastaJac saves on production, labour and maintenance costs for manufacturers of plate heat exchangers. The use of a lightweight hollow cylinder jack in conjunction with the patented 'Tri Nut' allows the compression of plates to be carried out evenly, squarely and efficiently. The hydraulic cylinders simultaneously compress the plates.

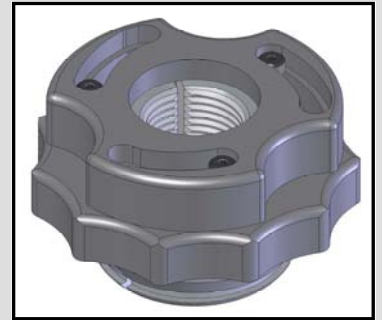
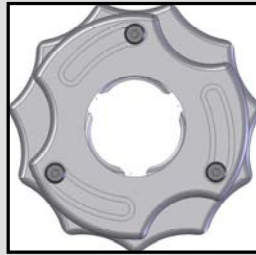


Quickly Adjustable

The Patented 'Tri Nut' allows the compression of plates to be carried out evenly, squarely and efficiently. The hydraulic cylinders simultaneously compress the plates.

Features

- Unique cam lock design.
- Tri nut locks into tool, even in upside down position.
- Quick connect fittings
- No Pinch Points



Above Left - Open Tri-Nut
Above middle: Tri-Nut Closed
Right - Complete Tri-Nut

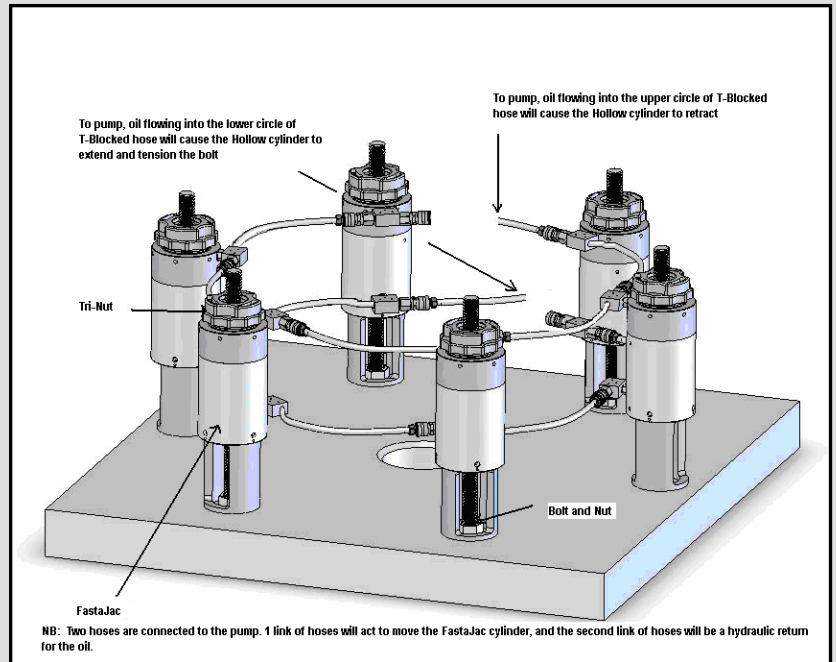
Suitable for:

- Plate Heat Exchangers
- Pre & Post Tensioning Applications

Operation

The Tri-Nut is designed to fit over the major diameter of the thread until it engages into its spherical seat. This closes the nut onto the thread and the nut is screwed home as normal.

This facilitates speedy fitting and removal of the tools removing the need for 'running down' the Tensioner retaining nut over the full length of the thread.



Patent No: PCT/WO2005/123345

technofast
precision engineered solutions

