



A4 Subsea Series EziJac

Technofast's Subsea EziJac has been designed to address the difficulties experienced by divers operating the tools under water. The unique patented Tri-Nut allows a one handed operation & prevents gloves from getting caught (in pinch points). This means that the tool is both extremely fast to operate & it is safer for the diver than other tools available on the market.

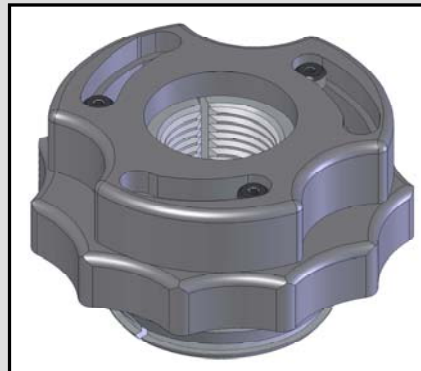
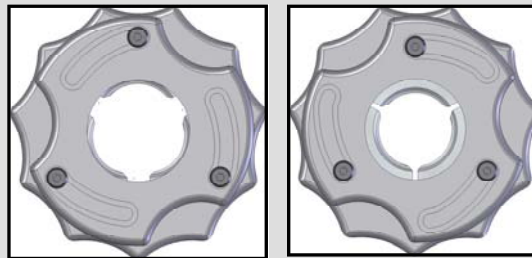
Another important feature of the Subsea EziJac is that the Tri-Nut will lock into place even when operating the tool upside down. This is extremely beneficial for a diver, due to the harsh environment in which they are working.

The Subsea EziJac is user-friendly and provides a comprehensive solution to underwater tensioning applications.



Features

- 1" to 3.1/2" bolt diameter.
- 30mm stroke capacity.
- Unique cam lock design.
- Tri nut locks into tool, even in upside down position.
- Hi visibility coating.
- Quick connect.
- No Pinch Points
- Divers can wear gloves while operating the tool.



SAFE FAST RELIABLE

SAFE FAST RELIABLE

Operation

The Subsea EziJac is operated by placing the unique patented Tri-Nut over the thread of the protruding stud until seated. Using the top cap turn to a closed position which closes the nut onto the thread. (This alleviates the need for the time consuming process of screwing a reaction nut down over the full required thread engagement). A Hose & pump are then connected to the EziJac via the quick connect fittings and pressure is applied to the tool. Once the EziJac has reached the pressure/load required, simply lock off the standard nut and relieve the hydraulic pressure within the tool. The EziJac can then be removed and the tensioning procedure is complete.



Patent No: PCT/WO2005/123345

This product is covered by numerous patents worldwide

technofast
precision engineered solutions

